



## PRECISION ABRASIVE WATERJET ACCESSORIES

### Accessory Specifications

## TF/A-JET



*Terrain Follower installed on the A-Jet*

## OMAX® Terrain Follower/A-Jet®

The OMAX Terrain Follower allows a JetMachining® Center to automatically cut parts from materials with irregular or warped surfaces without the need for special programming.

The Terrain Follower attaches directly to the A-Jet. Changes in a material's height are detected and the nozzle automatically makes the required height adjustments, maintaining the necessary nozzle standoff to avoid contact with warped surfaces and protecting the nozzle and related hardware from damage. This allows you to start cutting warped material without the need to find the high points, saving you time and money.

# TF/A-JET

### Standard Features

- High resolution magnetic encoder senses change in material height
- Automatically maintains nozzle stand-off throughout the cutting process
- All electrical cabling is shielded from the abrasive waterjet environment
- Designed with robust packaging, O-ring seals, and splash guards
- All A-Jet accessories contain mounting features to add on a Terrain Follower device
- Quick and easy removal/attachment of the Terrain Follower accessory

### Benefits

- Adjusts automatically to uneven surfaces, reduces need for additional programming
- Meet required tolerances and deliver competitively priced, accurate parts cut from economical, non-precision material
- Simple setup and operation
- No special programming required
- Auto standoff
- Designed specifically to operate in an abrasive waterjet environment
- Completely retrofittable to all existing A-Jet accessories
- Designed with the experience of the proven original Terrain Follower concept, which has over 200 active units in the field
- Quick and easy removal of the Terrain Follower accessory when you want extra clearance for specific jobs

# OMAX Terrain Follower/A-Jet

## Best Applications

- Great for materials that stress relieve while cutting
- Assists in cutting hard, smooth, or non-cosmetic surfaces
- Ideal for cutting large parts on uneven or warped sheets

For example: When cutting material at a 45° (or greater) angle, any height change of the material directly changes the cut offset. For instance, cutting material with an 1/8" warp without using the Terrain Follower would produce an 1/8" shift in your cutting line. To prevent this, install the Terrain Follower to eliminate this shift when cutting at a 45° angle or any other angle. The accessory will adjust the Z-axis height and give you an appropriate standoff between the nozzle and the material surface when cutting the warped stock.

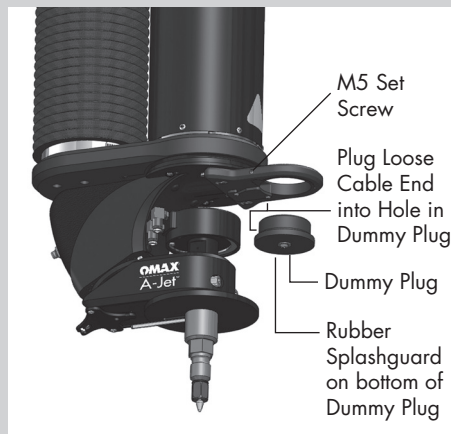
*Note: Collision sensing capabilities are not featured with the Terrain Follower/A-Jet accessory.*



Terrain Follower shown on an A-Jet

## Accessories in the Terrain Follower/A-Jet Kit

- Neat package
- Easily removable
- Easily return to service after removal
- OMAX service tech required for initial installation



## Requirements

- Windows® upgrade  
Contact OMAX Customer Service for information
- OMAX Software version 11 or greater
- A-Jet
- A bridge-style OMAX JetMachining Center (For cantilever-style OMAX JetMachining Centers, contact an OMAX sales representative for details)
- OMAX 9-Axis PC-based controller

Contact OMAX for more information.

## About OMAX

OMAX has the industry leading patented abrasivejet controller with a built-in expert system. Our exclusive "Compute First-Move Later" motion control system automates most programming and tool setup work, virtually eliminating the need for extensive operator training. Plus, with free OMAX Intelli-MAX® Software upgrades for the life of the machine and our ongoing commitment to advance the efficiency of our technology and software, OMAX saves you time and money.

For information on what other OMAX products and accessories can do for you, call us today at 800-838-0343 or visit our website at [www.omax.com](http://www.omax.com).



### OMAX Corporation

21409 72nd Ave South, Kent, WA 98032  
253-872-2300 tel 253-872-6190 fax  
1-800-838-0343 toll-free  
[WWW.OMAX.COM](http://WWW.OMAX.COM) website