

*VS-SRS mounted to an OMAX 120X JetMachining Center.*

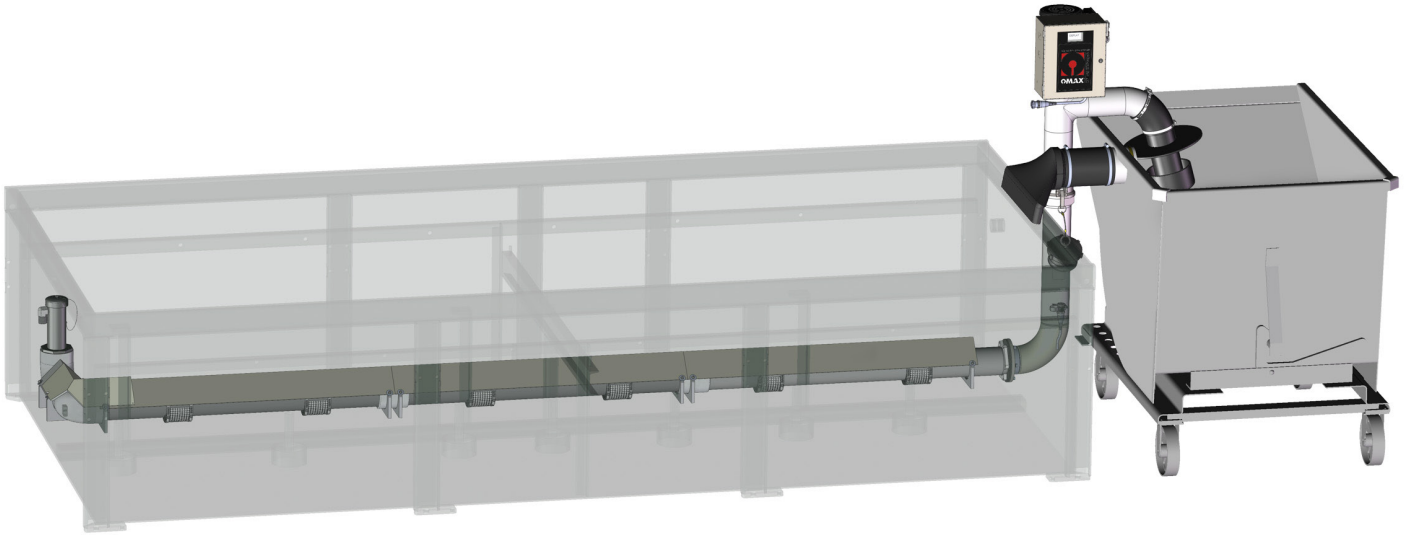
## OMAX Variable Speed Solids Removal System

The programmable Variable Speed Solids Removal System (VS-SRS) provides precise control over abrasive evacuation rate, direction, and duration to efficiently remove garnet from the abrasive waterjet catcher tank. The VS-SRS gives the operator the ability to program flow rate and direction. The controller's programmability provides greater garnet removal than comparable fixed speed units. An optimized fluid return trough increases settling time and minimizes abrasive volume returning to the tank. The OMAX VS-SRS works on both OMAX and MAXIEM® JetMachining® Centers, from the smallest to the largest table sizes.

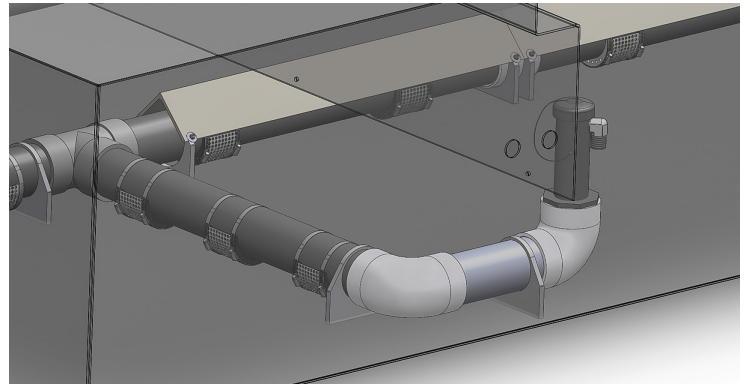
### FEATURES & BENEFITS

- Variable Frequency Drive (VFD) provides programmable flow rate and direction reversal for optimal abrasive removal
- 3/4 yard hopper that includes liner for ease of removing garnet from hopper
- Optimized fluid return trough minimizes abrasive volume returning to the tank
- Suction line flushing feature
- UL, CE and CSA compliant
- Built-in GFCI protection
- Garnet removal rate as high as 5.6 lbs/min
- Provides an easy, economical way to clean the Catcher Tank with minimal downtime for maintenance
- Uses only 21 sq ft of floor space
- Productively removes both large and fine particles

# VS-SRS



VS-SRS mounted to a MAXIEM 1530 JetMachining Center.



## ELECTRICAL REQUIREMENTS

- 220/240 VAC (50/60 Hz) Single Phase 10A GFCI protected (supplied by owner)
- Ships with a Nema 6-20 male plug
- Install according to local electrical code

## ABOUT OMAX

OMAX is the global total solutions provider in advanced abrasive waterjet systems. Our intuitive Intelli-MAX Software Suite simplifies programming and reduces setup times, increasing your productivity. OMAX engineers continue to innovate technology for abrasive waterjet machining, from proven 4th generation pump designs to cutting edge drive systems with micron-level accuracy. With the largest abrasive waterjet support network in the world, OMAX continues to shape the future of waterjets.

To see how an OMAX or MAXIEM JetMachining Center can save you time and money, call or visit our website and request a free part analysis today.

**ABRASIVE WATERJET**  
vs. OTHER METHODS



[WWW.OMAX.COM/COMPARE](http://WWW.OMAX.COM/COMPARE)



Specifications subject to change without notice.  
600085C © OMAX Corporation June 2016

[WWW.OMAX.COM](http://WWW.OMAX.COM)

Made in the USA

TEL 1-253-872-2300 / 1-800-838-0343

FAX 1-253-872-6190

**OMAX CORPORATION**

21409 72nd Avenue South  
Kent, WA 98032

